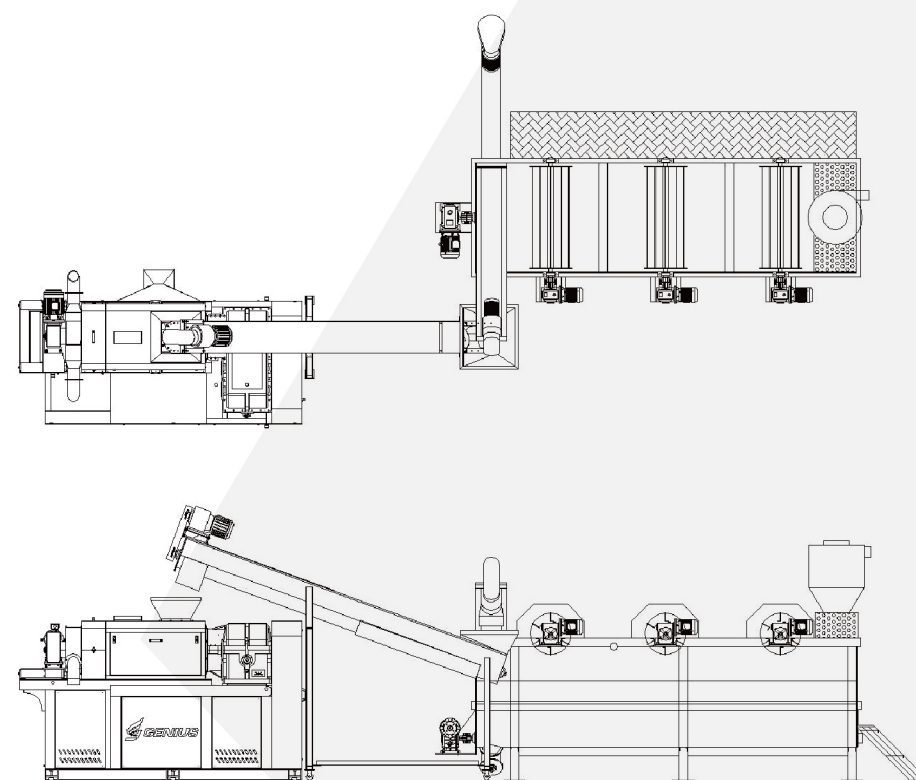


Count on us Make your business successful!

Make production better and efficient

Material processed

All washed plastic films, PE film, PP woven bag, jumbo bag and non-woven bag.



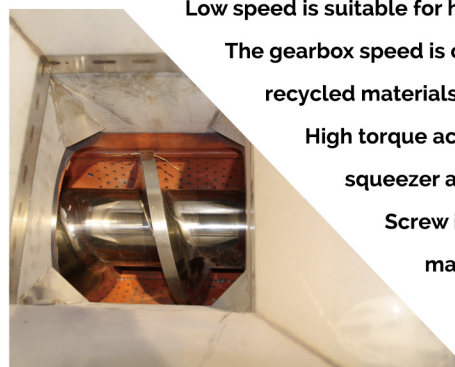
Exclusive technique

Speed-changing gearbox

- Self-made gear box with high technology precision
Invented by Genius design team for multiple functions of gearbox
- Adjustable two speed derailleurs: high/low
Low speed is suitable for high viscosity materials.

The gearbox speed is changeable depends on different recycled materials.

High torque achieve high efficiency of the squeezer and energy-saving Screw design
Screw is made of wear resistance materials. Ensure the longevity of product life



A Master of Plastic Recycling Solutions

No.10-5, Tianzainei Ln., Sangang Rd.,

Longjing Dist., Taichung City 43444,

Taiwan (R.O.C.)

Tel: +886-4-2630-1621

Fax: +886-4-2630-1716

E-mail: service@geniusplas.com

Skype: lwtiou224



PLASTIC

SQUEEZE DRYER



uCloud www.geniusplas.com

Genius Machinery Co., Ltd.

Single Screw Plastic Squeeze Dryer

DW-Series, an advanced solution to film washing line

HIGH STANDARD HIGH EFFICIENCY

High Standard, High Efficiency



Machine Quality Assurance

Advanced screw and barrel design
Test operation is required!
EVERY machine is under practical operation with customer's specific test material.



Lower moisture, higher capacity

Plastic squeeze dryer is a vital part of plastic film washing line.
Washed agricultural films or plastic films retain up to 30% wetness normally.
High humidity will be affecting the efficiency and production of the following pelletizing process.
Having a plastic squeeze dryer is a must to dehydrate the washed film, reduce the volume of recycled materials and further refine the essence of final plastic pellets.

Product Specification

	DW-250	DW-300	DW-350
Main Drive	56.25KW	93.75KW	131KW
Screw Diameter	Φ250mm	Φ300mm	Φ350mm
Capacity	PE:250~350kg/hr PP: 150-250kg/hr	PE:450~650kg/hr PP: 350-450kg/hr	PE:700~900kg/hr PP: 500-700kg/hr

Application examples

Input: All types of plastic washed films and yarns
Output: moisture 1%-3% retained, end product is straight available for reusing and applying to plastic recycling machine.

Before



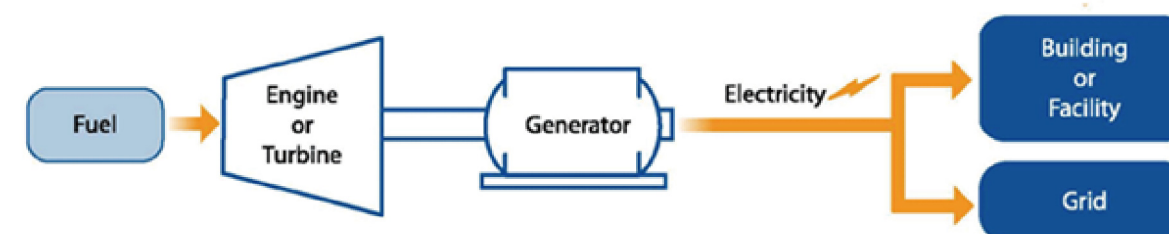
PP Jumbo bag LDPE PE(AG film) PE(AG film) PP woven bag

After



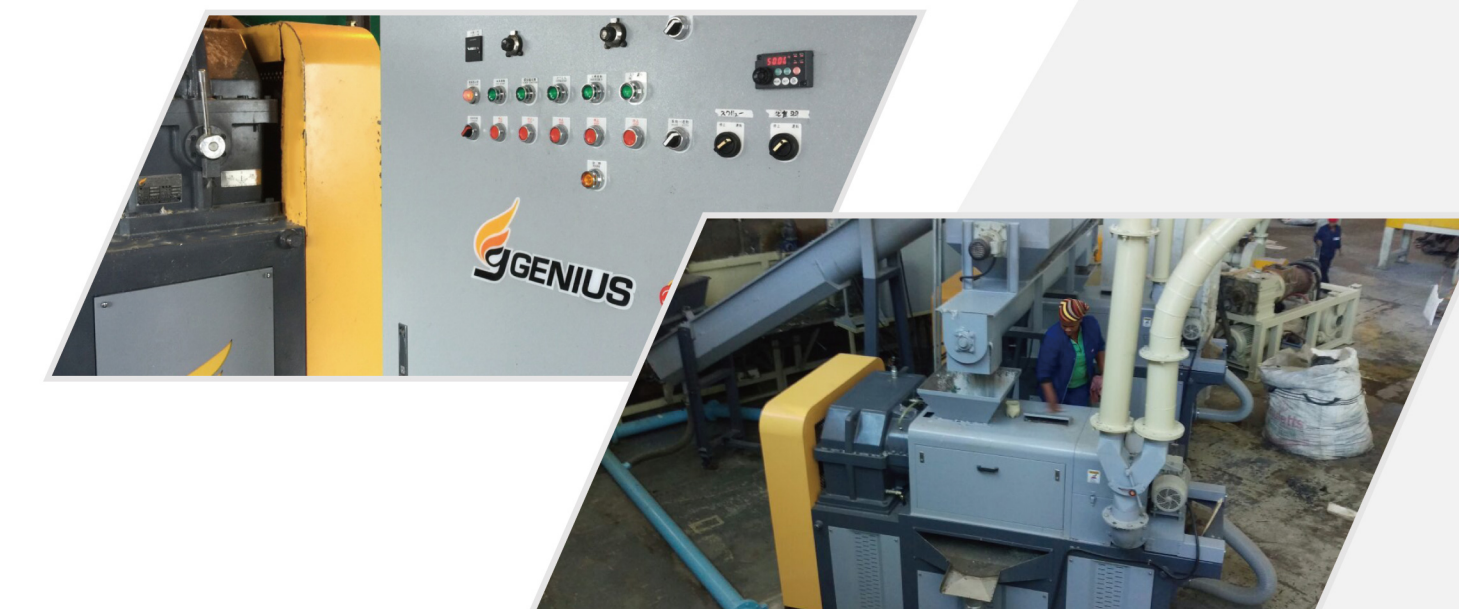
Eco-friendly Application of DW-Series A New and Economical Way of Plastic Recycling Solutions RDF-5/ RPF-5

(Refuse Derived Fuel)
Applicable material :
All types of plastic washed films, recycled papers
A renewable energy used as a fuel to produce energy widely.



International markets

Japan, Malaysia, Indonesia, South Africa and more.



Corporate News

Our Brazilian guest runs a plastic film washing and pelletizing plant company in Brazil. To look for better production equipment, he came to Taichung, Taiwan and paid a visit to our company to see the plastic squeeze dryer operation in person.

According to the analysis of machine operation report, plastic recycling machine functions more efficiently with DW-Series since the films retain less moisture. In this way, utilizing plastic film screw press dryer makes high quality of plastic pellets.

Last but not least, our foreign visitor is satisfied with the result of test machine operation and feels that DW-Series can really improve the production equipment and increase the overall output significantly.

